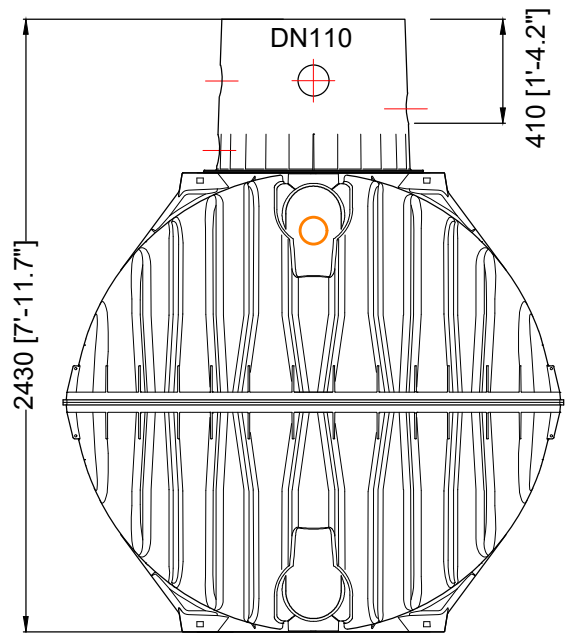
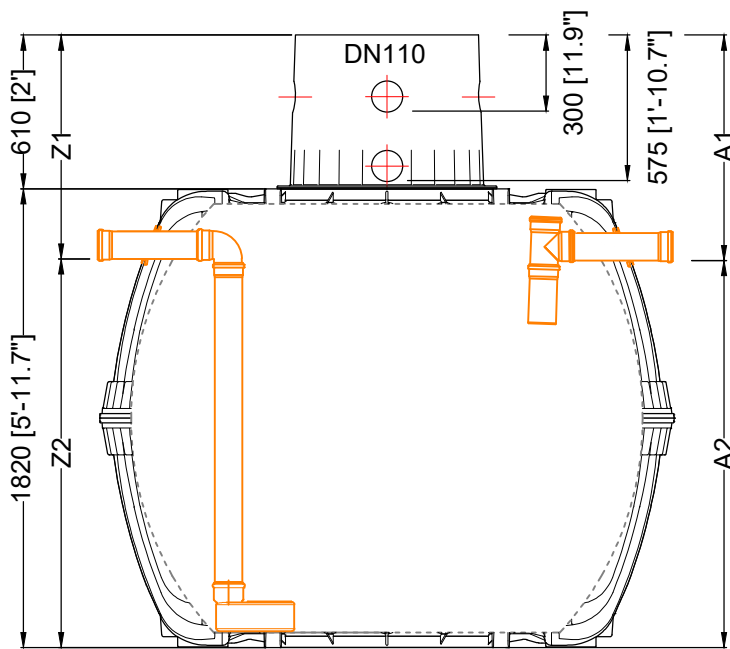


	#370552	#370554
	DN 110	DN 160
Z1	890 [2'-11,0\"]	890 [2'-11,0\"]
Z2	1540 [5'-0,6\"]	1540 [5'-0,6\"]
A1	895 [2'-11,2\"]	895 [2'-11,2\"]
A2	1535 [5'-0,4\"]	1535 [5'-0,4\"]



D GRAF Regenwasser-Erdtank Carat 4800 L / 1268 gal. Sedimentationstank DWA-M 153		Artikel-Nr. product no. article no. 370552 / 370554 articulo no.	
GB GRAF underground tank Carat 4800 L / 1268 gal.	ES GRAF Depósito Soterrado Carat 4800 L / 1268 gal.	FR GRAF Cuve à enterrer Carat 4800 L / 1268 gal.	revision
gezeichnet drawn ISC	Gewicht weight 185 kg	Otto Graf GmbH Carl-Zeiss-Str. 2-6 DE-79331 Teningen mail@graf.info www.graf.info	
Datum date 2024.01.12	Toleranz tolerance +/- 3%		
Maßstab scale M 1:30	Einheiten units mm [inch] gal. = US gal.		

