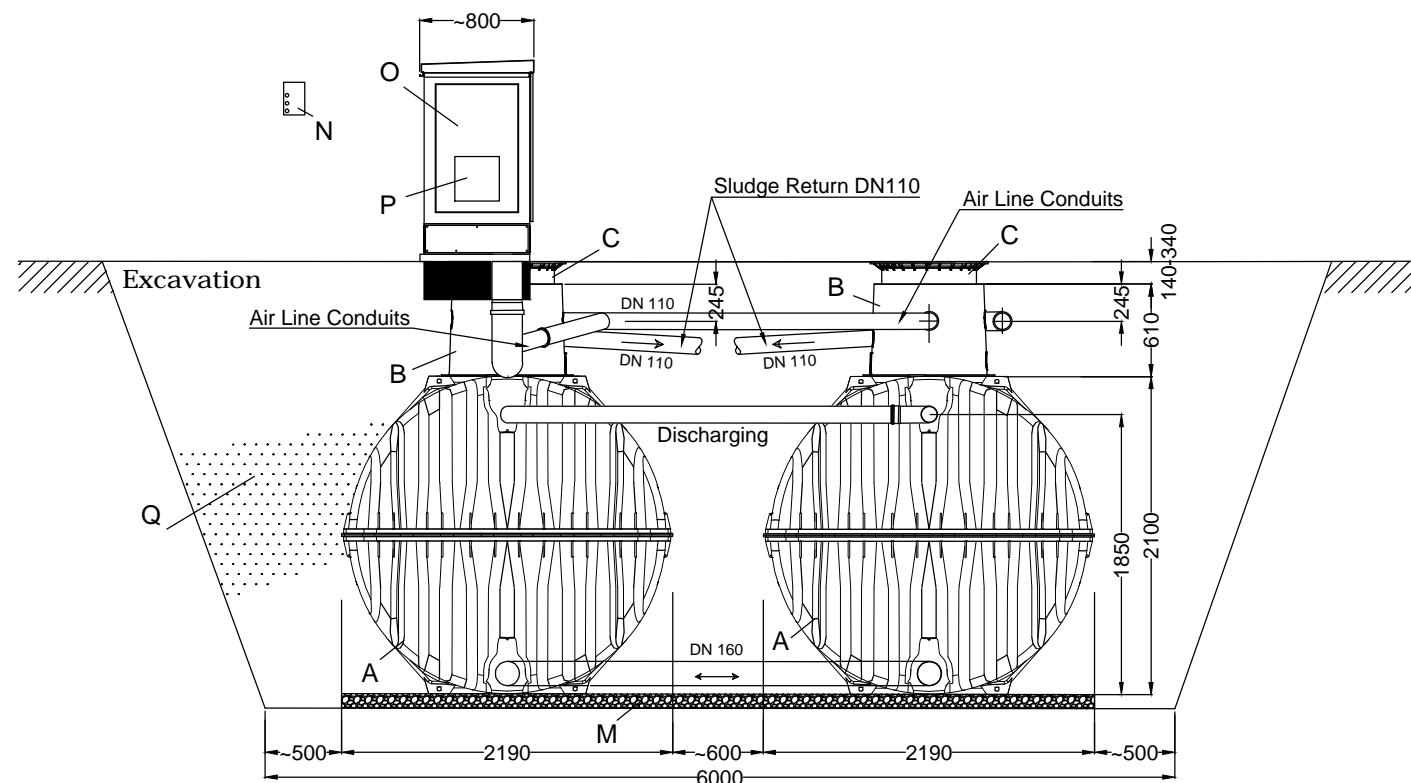

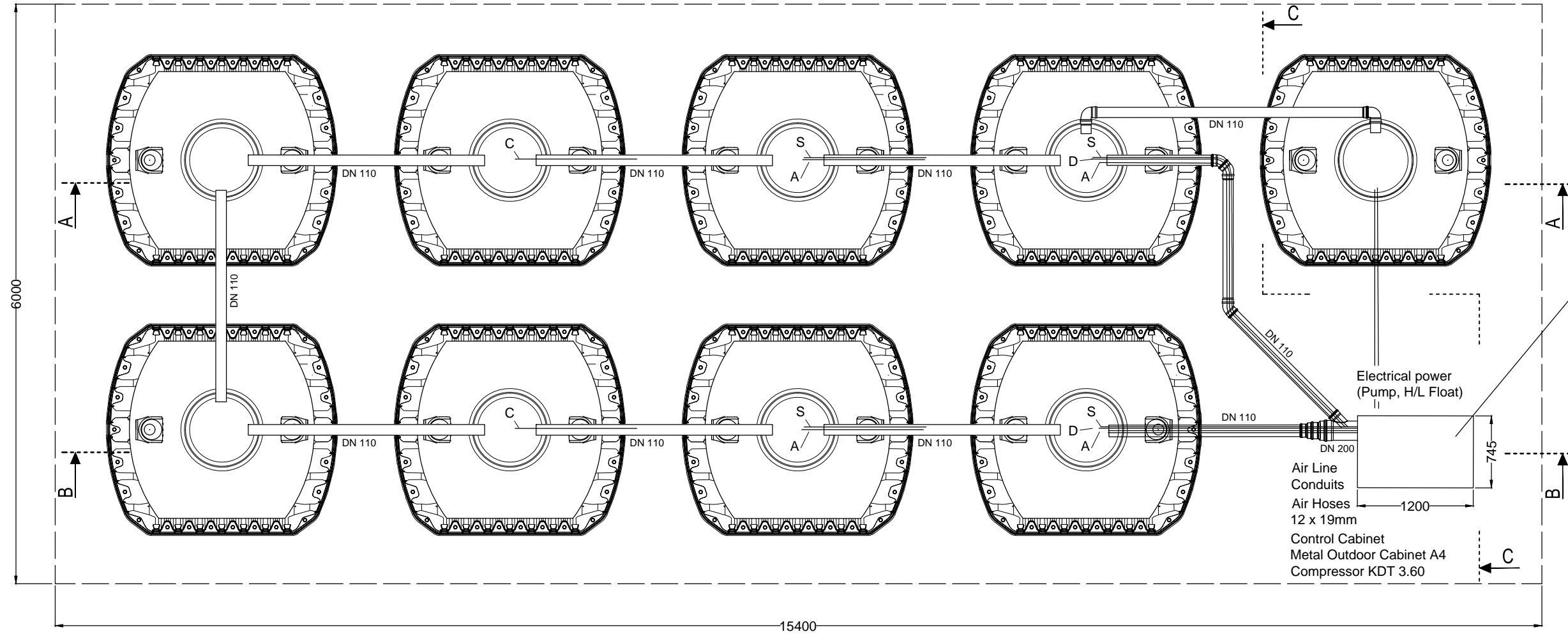


TOP VIEW Wastewater Treatment



SECTION C-C

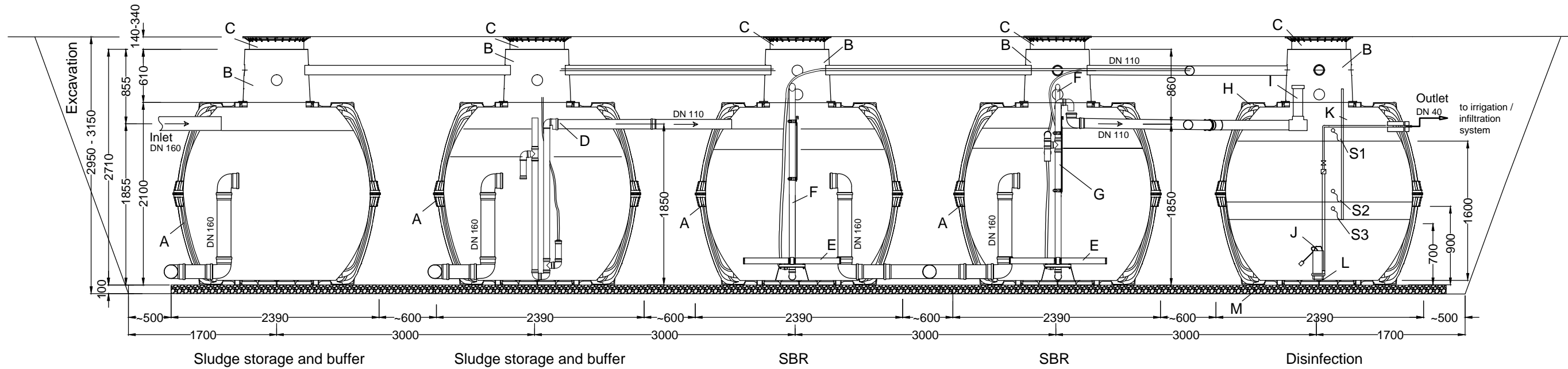
|   |  |  |  |
|---|--|--|--|
| <p>D</p> <p>GRAF EPro Commercial 18000 L/d (100EP)<br/>8x Carat S 6500 L, 1x Carat S 6500 L</p> |  | <p>Artikel-Nr.<br/>product no. 20.1008<br/>article no.<br/>articulo no.</p>  |  |
|   |  | <p>revision</p>  |  |
| <p>TOP VIEW Wastewater Treatment - SECTION C-C</p>  |  | <p>GRAF Australia Pty Ltd<br/>23 Success Way<br/>Henderson WA 6166<br/>Phone: +61 8 9437 4949<br/>Email:<br/>info@grafplasticsaustralia.com.au<br/>Web:<br/>www.grafplasticsaustralia.com.au</p> |  |
| <p>gezeichnet<br/>drawn</p>   | <p>Gewicht<br/>weight</p>                                      |   |  |
| <p>Datum<br/>date</p> <p>2017.03.07</p>   | <p>Toleranz<br/>tolerance</p> <p>+/- 3%</p>                    |  |  |
| <p>Maßstab<br/>scale</p> <p>M 1:50</p>  | <p>Einheiten<br/>units</p> <p>mm [inch]<br/>gal. = US gal.</p> |  |  |



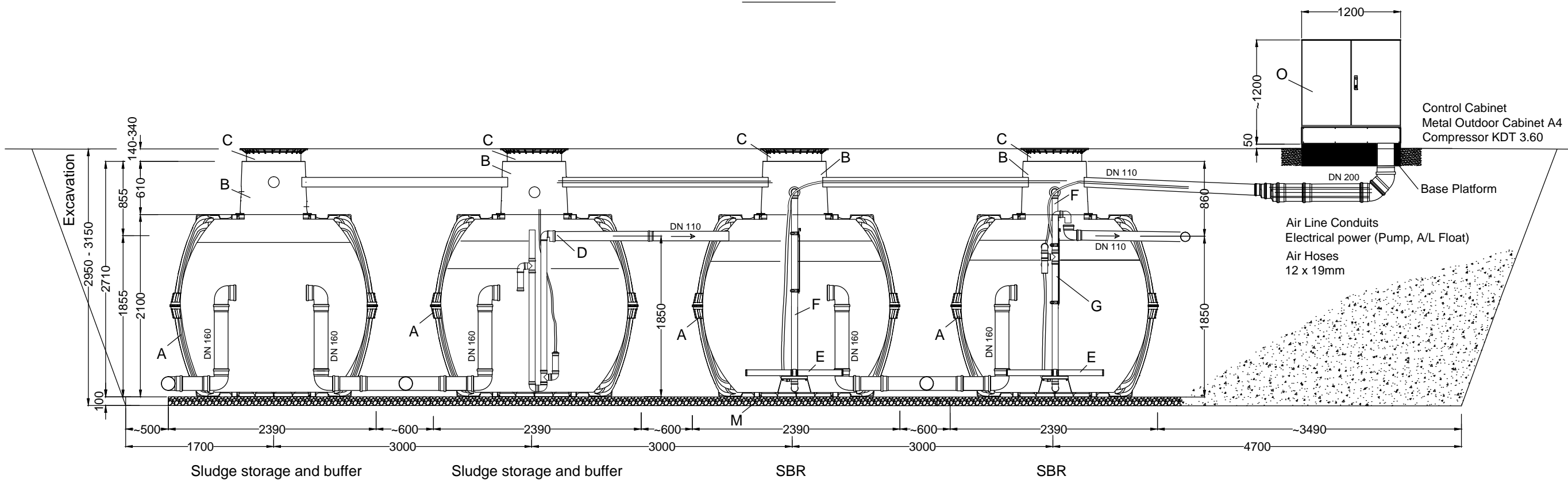
TOP VIEW Compressed air

- Legend Air Line Conduits / Electrical power
- A Aeration 19mm Hose required (blue)
  - C Charging Lifter 19mm Hose required (red)
  - D Discharging Lifter 19mm Hose required (black)
  - S Sludge Return 19mm Hose required (white)
  - LS H/L Float Switch
  - P Pump

|   |                             |   |                |
|---|-----------------------------|---|----------------|
| <b>GRAF EPro Commercial 18000 L/d (100EP)</b><br>8x Carat S 6500 L, 1x Carat S 6500 L |                             | Artikel-Nr.<br>product no.<br>article no.<br>articulo no.   | <b>20.1008</b> |
| TOP VIEW Compressed air   |                             | revision  |                |
| gezeichnet<br>drawn   | Gewicht<br>weight           | GRAF Australia Pty Ltd<br>23 Success Way<br>Henderson WA 6166   |                |
| Datum<br>date   | Toleranz<br>tolerance       | Phone: +61 8 9437 4949<br>Email:<br>info@grafplasticsaustralia.com.au<br>Web:<br>www.grafplasticsaustralia.com.au |                |
| Maßstab<br>scale  | Einheiten<br>units          |   |                |
| 2017.03.07  | +/- 3%                      | mm [inch]<br>gal. = US gal.   |                |
| M 1:50  | mm [inch]<br>gal. = US gal. |   |                |



SECTION A-A



SECTION B-B

- |                      |                                   |
|----------------------|-----------------------------------|
| A Carat Tank 6500L   | J Irrigation Pump                 |
| B Tank Dom Maxi      | K Float (S1, S2, S3)              |
| C Tele Lid Mini      | L Pump Platform                   |
| D Charging Lifter    | M Compacted Base Material         |
| E Diffusor           | N Internal Alarm Plate (optional) |
| F Sludge Lifter      | O Control Cabinet Metal           |
| G Discharging Lifter | P Cabinet Ventilation Fan         |
| H Carat Tank 6500L   | Q Approved Backfill               |
| I Tablet Feeder      |                                   |

|   |                       |  |
|---|-----------------------|--|
| <b>GRAF EPro Commercial 18000 L/d (100EP)</b><br>8x Carat S 6500 L, 1x Carat S 6500 L |                       | Artikel-Nr.<br>product no. <b>20.1008</b><br>article no.<br>articulo no.   |
| <b>SECTION A-A and SECTION B-B</b>  |                       | revision   |
| gezeichnet<br>drawn   | Gewicht<br>weight     | GRAF Australia Pty Ltd<br>23 Success Way<br>Henderson WA 6166<br>Phone: +61 8 9437 4949<br>Email:<br>info@grafplasticsaustralia.com.au<br>Web:<br>www.grafplasticsaustralia.com.au |
| Datum<br>date   | Toleranz<br>tolerance |  |
| Maßstab<br>scale  | Einheiten<br>units    |  |
| 2017.05.31  | +/- 3%                | mm [inch]<br>gal. = US gal.  |
| M 1:50  |                       |  |

