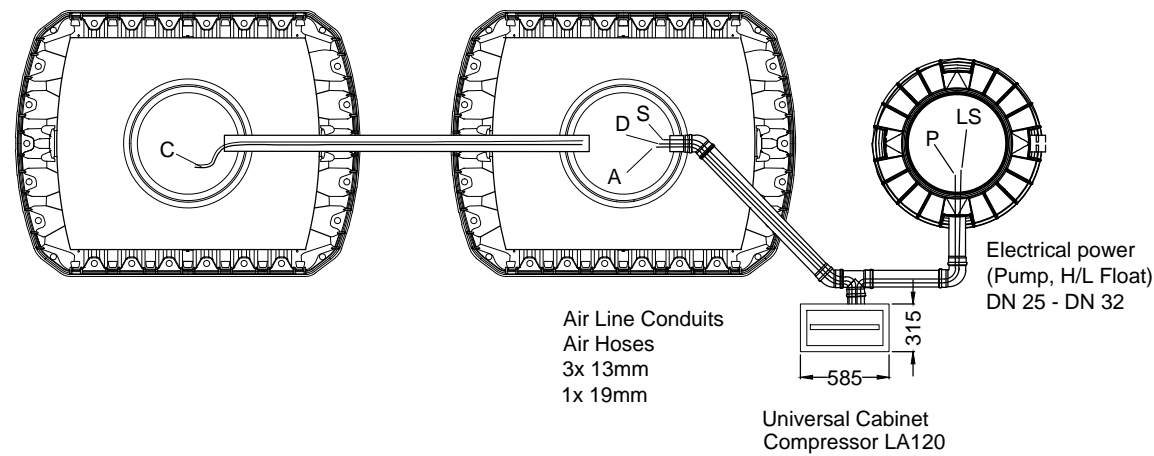
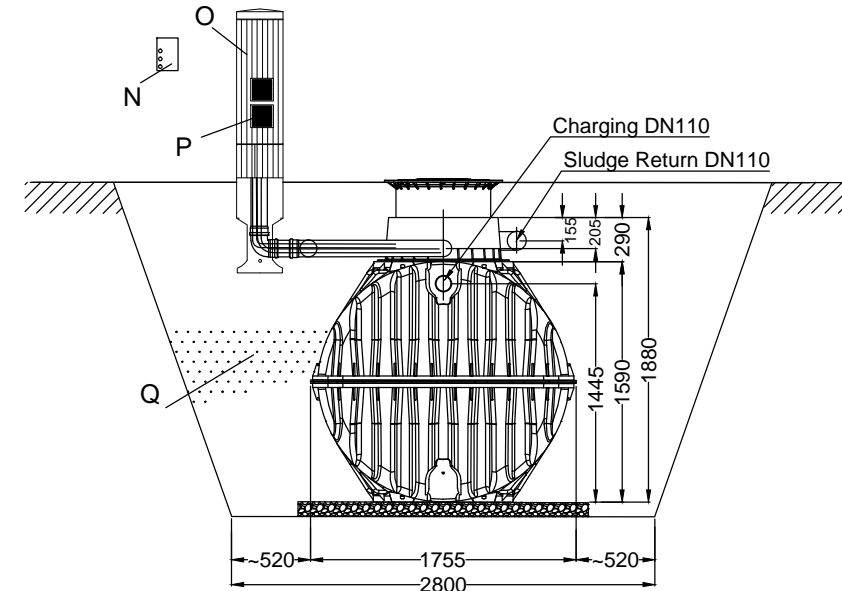


TOP VIEW
Wastewater
Treatment



TOP VIEW
Compressed air

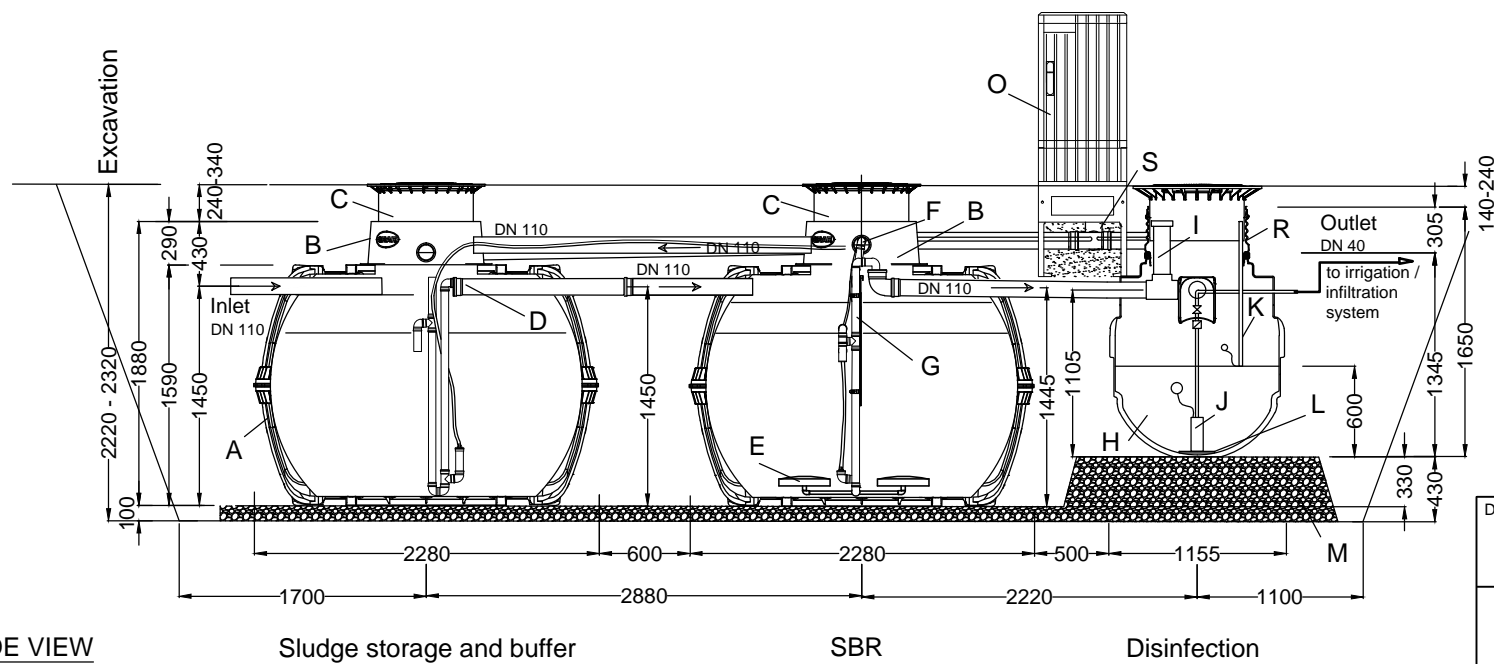


Excavation
SECTION A-A

Legend Air Line Conduits / Electrical power

- A Aeration 19mm Hose required (blue)
- C Charging Lifter 13mm Hose required (red)
- D Discharging Lifter 13mm Hose required (black)
- S Sludge Return 13mm Hose required (white)
- LS H/L Float Switch
- P Pump

- A Carat Tank 3750L
- B Tank Dom Mini
- C Tele Lid Mini
- D Charging Lifter
- E Diffusor
- F Sludge Lifter
- G Discharging Lifter
- H Saphir 900L
- I Tablet Feeder
- J Irrigation Pump
- K Highlevel Float
- L Pump Platform
- M Compacted Base Material
- N Internal Alarm Plate (optional)
- O Control Cabinet
- P Cabinet Ventilation Fan
- Q Approved Backfill
- R Riser Extension
- S Filling granulat recommended



SIDE VIEW

Sludge storage and buffer

SBR

Disinfection

D		GRAF EPro21 Commercial 2160 L/d (12EP) 2x Carat S 3750 L, 1x Saphir 900 L	Artikel-Nr. product no. article no. articulo no.	20.1002
			revision	
drawn	weight	GRAF Australia Pty Ltd 23 Success Way Henderson WA 6166		
date	2017.05.31	tolerance	+/- 3%	
scale	M 1:50	units	mm [inch] gal. = US gal.	
		Phone: +61 8 9437 4949 Email: info@grafplasticsaustralia.com.au Web: www.grafplasticsaustralia.com.au		

