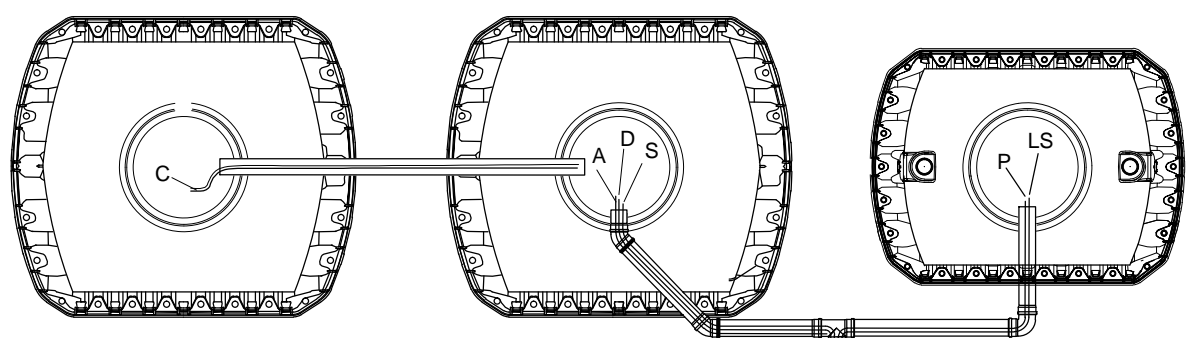


TOP VIEW
Wastewater Treatment

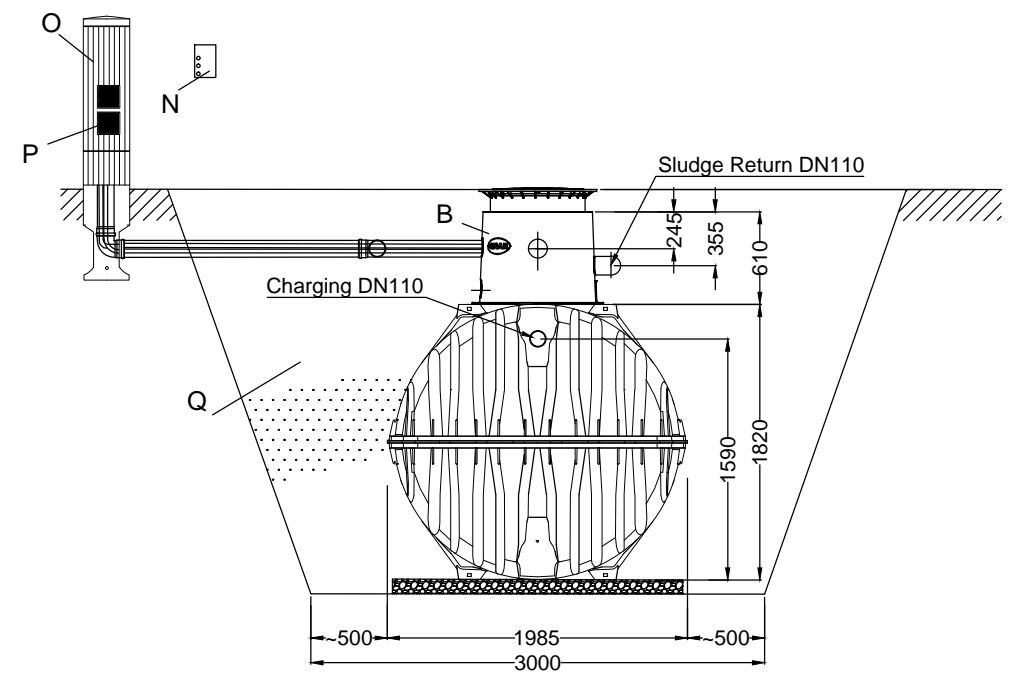


TOP VIEW
Compressed air

Air Line Conduits
Air Hoses
3x 13mm
1x 19mm

Universal Cabinet
Compressor LA200

Electrical power
(Pump, H/L Float)
DN 25 - DN 32

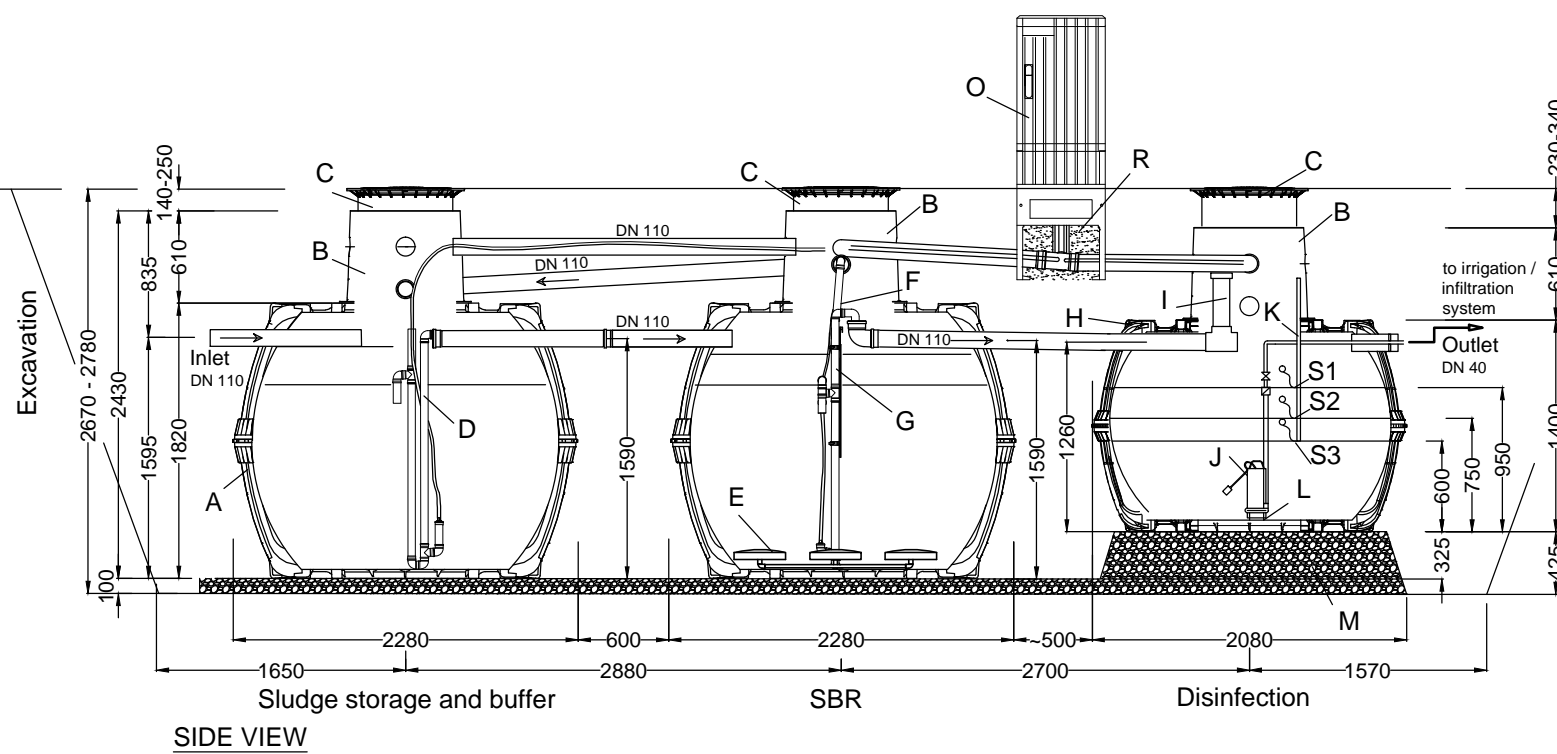


Excavation
SECTION A-A

Legend Air Line Conduits / Electrical power

- A Aeration 19mm Hose required (blue)
- C Charging Lifter 13mm Hose required (red)
- D Discharging Lifter 13mm Hose required (black)
- S Sludge Return 13mm Hose required (white)
- LS H/L Float Switch
- P Pump

- A Carat Tank 4800L
- B Tank Dom Maxi
- C Tele Lid Mini
- D Charging Lifter
- E Diffusor
- F Sludge Lifter
- G Discharging Lifter
- H Carat Tank 2700L
- I Tablet Feeder
- J Irrigation Pump
- K Float (S1, S2, S3)
- L Pump Platform
- M Compacted Base Material
- N Internal Alarm Plate (optional)
- O Control Cabinet
- P Cabinet Ventilation Fan
- Q Approved Backfill
- R Filling granulat recommended



SIDE VIEW

Excavation

to irrigation / infiltration system

Outlet DN 40

D		GRAF EPro Commercial 2700 L/d (15EP) 2x Carat S 4800 L, 1x Carat S 2700 L		Artikel-Nr. product no. article no. artículo no.	20.1003
				revision	
drawn	weight	GRAF Australia Pty Ltd 23 Success Way Henderson WA 6166			
date	tolerance	Phone: +61 8 9437 4949 Email: info@grafplasticsaustralia.com.au Web: www.grafplasticsaustralia.com.au			
scale	units	