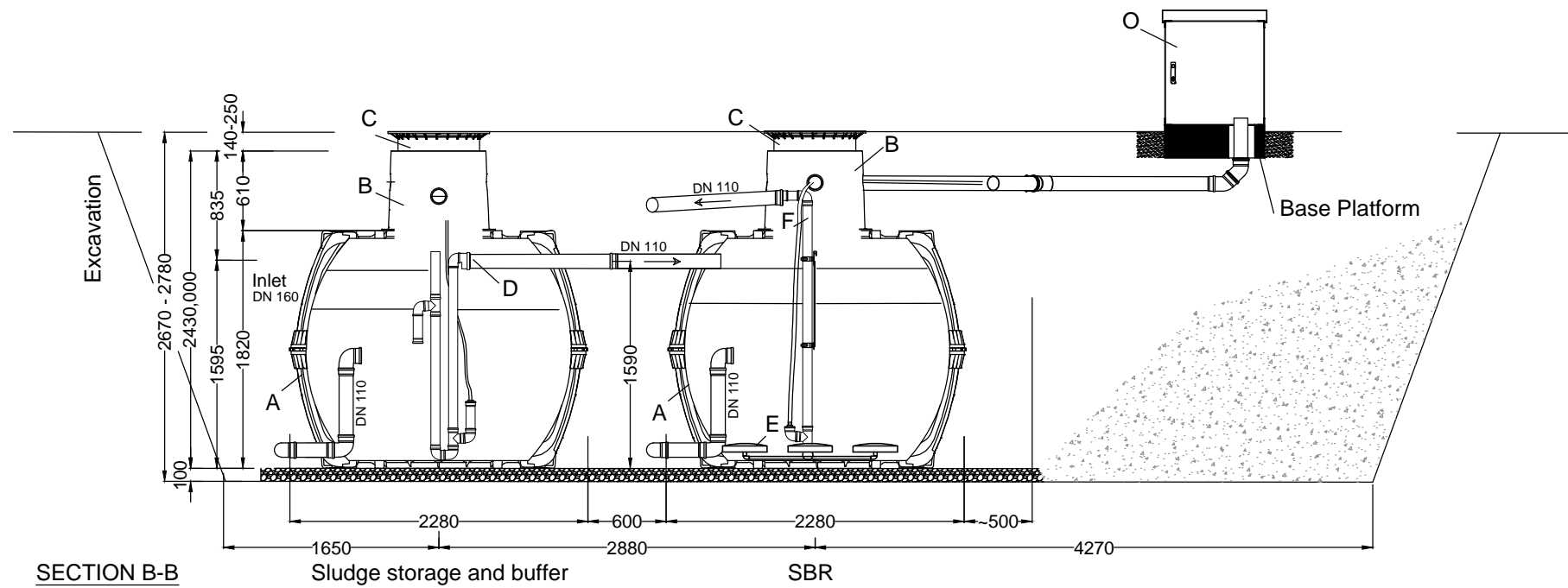
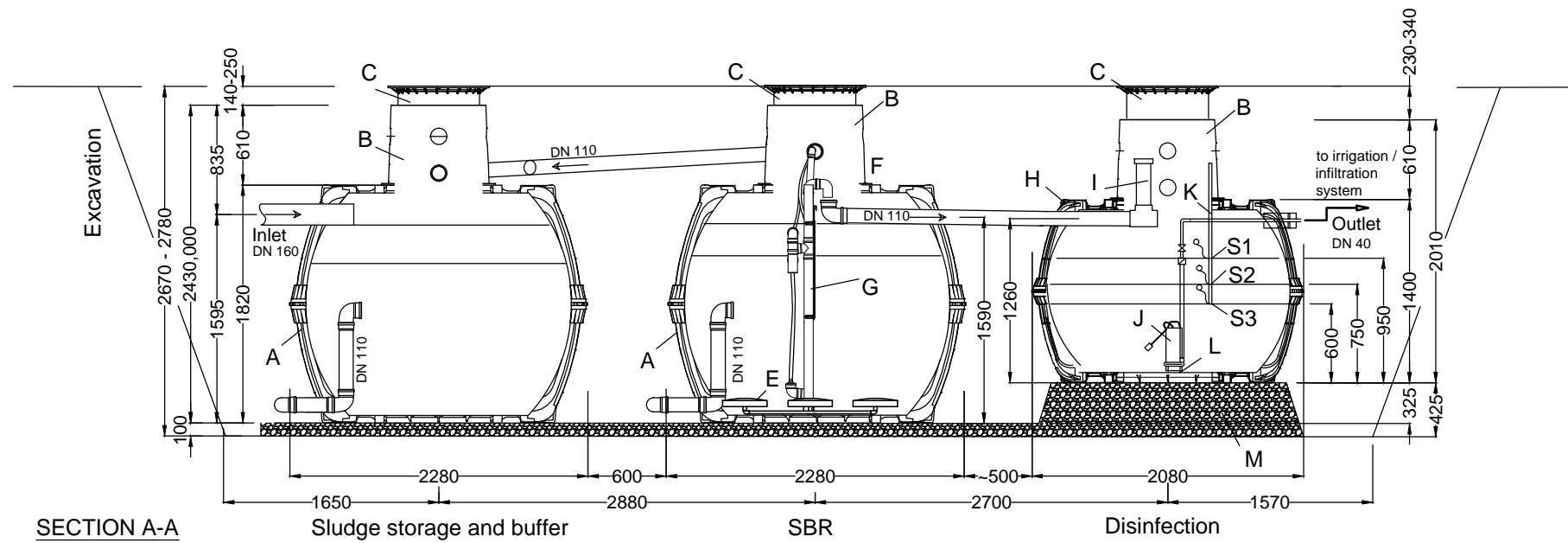


- Legend Air Line Conduits / Electrical power
- A Aeration 19mm Hose required (blue)
 - C Charging Lifter 13mm Hose required (red)
 - D Discharging Lifter 13mm Hose required (black)
 - S Sludge Return 13mm Hose required (white)
 - LS H/L Float Switch
 - P Pump

GRAF EPro Commercial 5400 L/d (30EP) 4x Carat S 4800 L, 1x Carat S 2700 L		Artikel-Nr. product no. article no. articulo no.	20.1005
TOP VIEW Wastewater Treatment, Compressed air and SECTION C-C		revision	
gezeichnet drawn	Gewicht weight	GRAF Australia Pty Ltd 23 Success Way Henderson WA 6166	
Datum date	2017.02.10	Toleranz tolerance	+/- 3%
Maßstab scale	M 1:50	Einheiten units	mm [inch] gal. = US gal.
Control Cabinet External steel cabinet L Compressor DT 4.16		Phone: +61 8 9437 4949 Email: info@grafplasticsaustralia.com.au Web: www.grafplasticsaustralia.com.au	





- A Carat Tank 4800L
- B Tank Dom Maxi
- C Tele Lid Mini
- D Charging Lifter
- E Diffusor
- F Sludge Lifter
- G Discharging Lifter
- H Carat Tank 2700L
- I Tablet Feeder
- J Irrigation Pump
- K Float (S1, S2, S3)
- L Pump Platform
- M Compacted Base Material
- N Internal Alarm Plate (optional)
- O Control Cabinet Metal
- P Cabinet Ventilation Fan
- Q Approved Backfill

D		GRAF EPro Commercial 5400 L/d (30EP) 4x Carat S 4800 L, 1x Carat S 2700 L		Artikel-Nr. product no. article no. articulo no.	20.1005			
SECTION A-A and SECTION B-B				revision				
gezeichnet drawn	Gewicht weight	GRAF Australia Pty Ltd 23 Success Way Henderson WA 6166 Phone: +61 8 9437 4949 Email: info@grafplasticsaustralia.com.au Web: www.grafplasticsaustralia.com.au						
Datum date	2017.02.10					Toleranz tolerance	+/- 3%	
Maßstab scale	M 1:50					Einheiten units	mm [inch] gal. = US gal.	