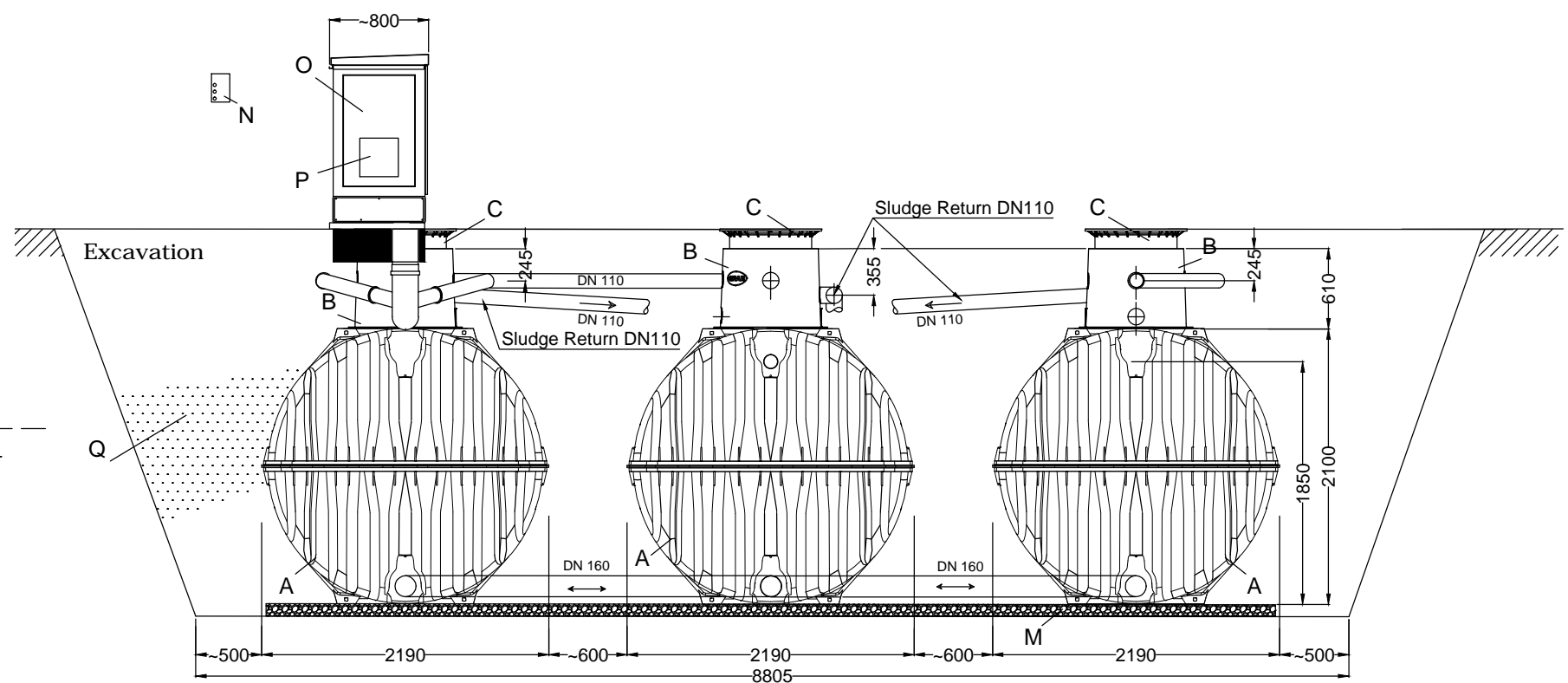

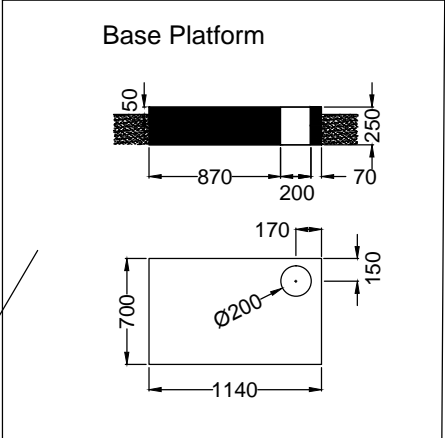
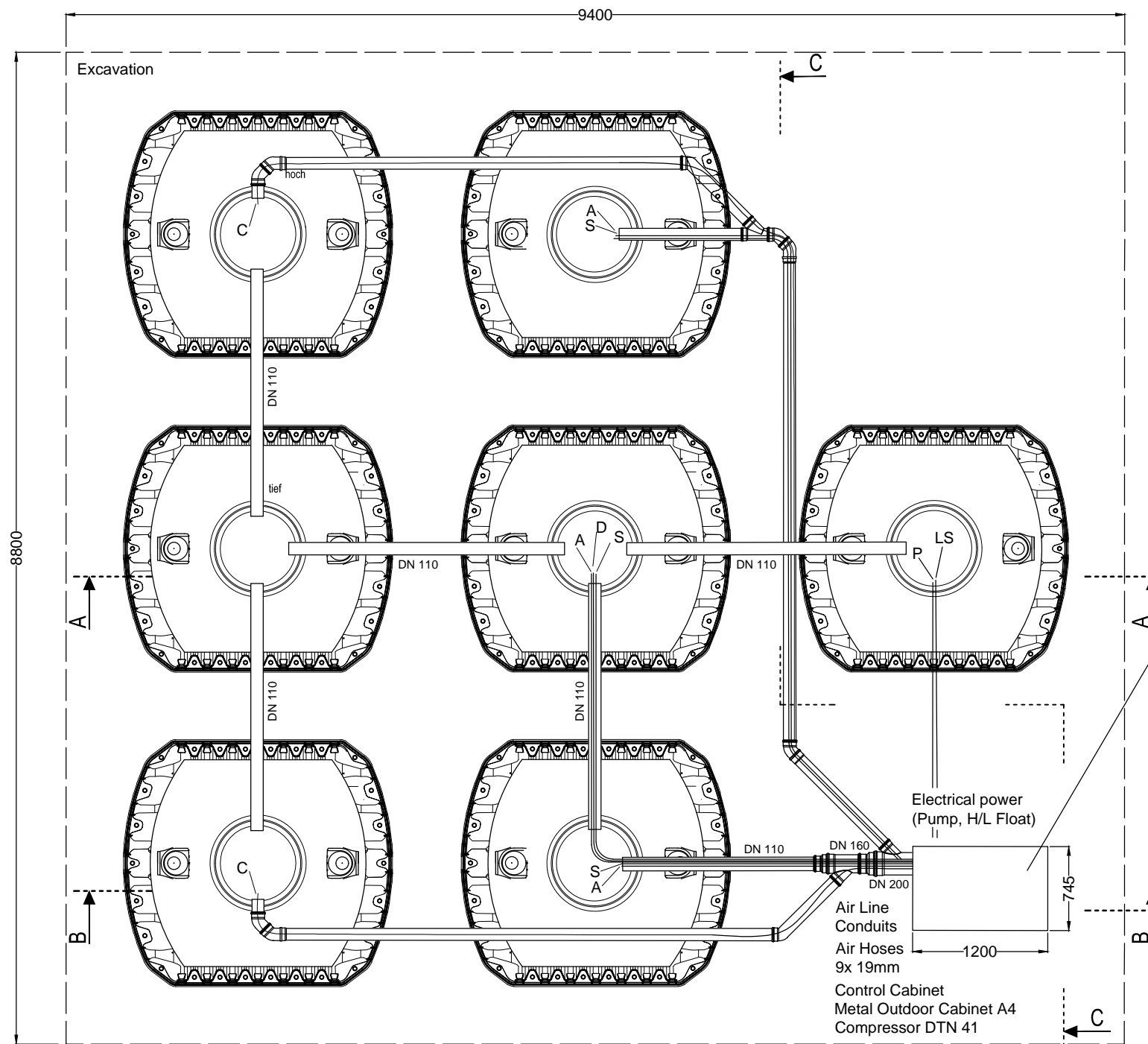


TOP VIEW Wastewater Treatment



SECTION C-C

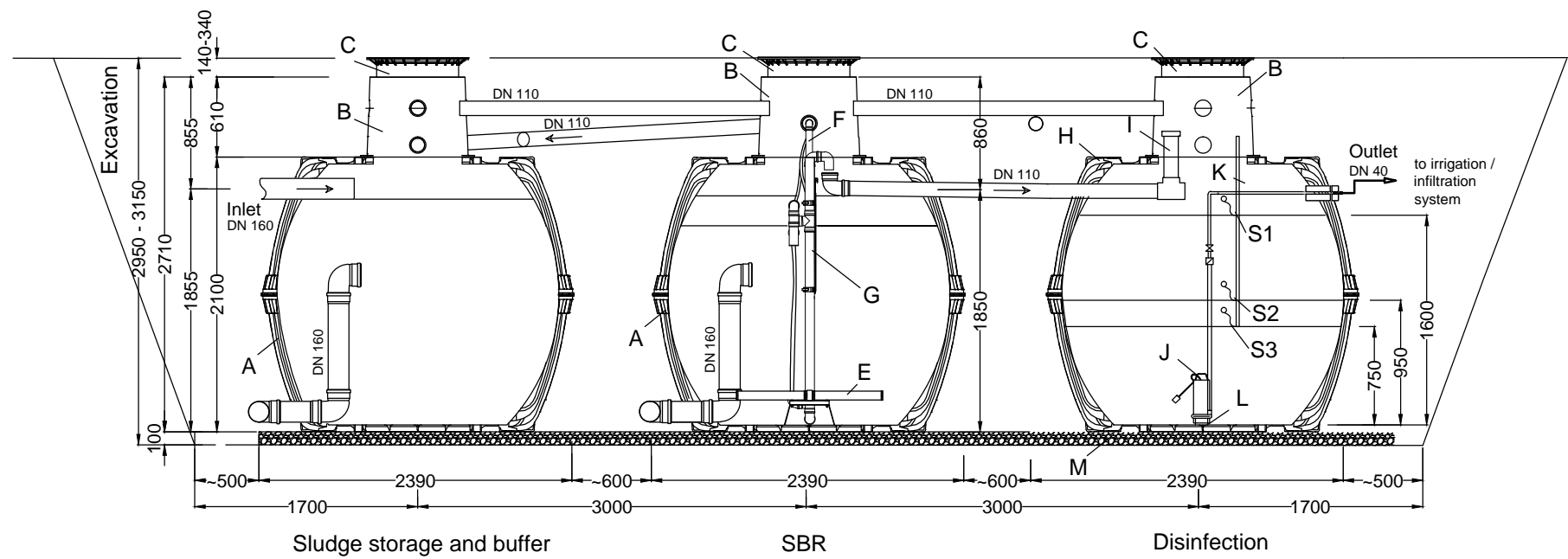
<p>GRAF EPro Commercial 12600 L/d (70EP) 6x Carat S 6500 L, 1x Carat S 2700 L</p>		<p>Artikel-Nr. product no. 20.1007 article no. articulo no.</p>
<p>TOP VIEW Wastewater Treatment - SECTION C-C</p>		<p>revision</p>
<p>gezeichnet drawn</p>	<p>Gewicht weight</p>	<p>GRAF Australia Pty Ltd 23 Success Way Henderson WA 6166 Phone: +61 8 9437 4949 Email: info@grafplasticsaustralia.com.au Web: www.grafplasticsaustralia.com.au</p> 
<p>Datum date</p>	<p>Toleranz tolerance</p>	
<p>Maßstab scale</p>	<p>Einheiten units</p>	
<p>2017.02.10</p>	<p>+/- 3%</p>	<p>mm [inch] gal. = US gal.</p>



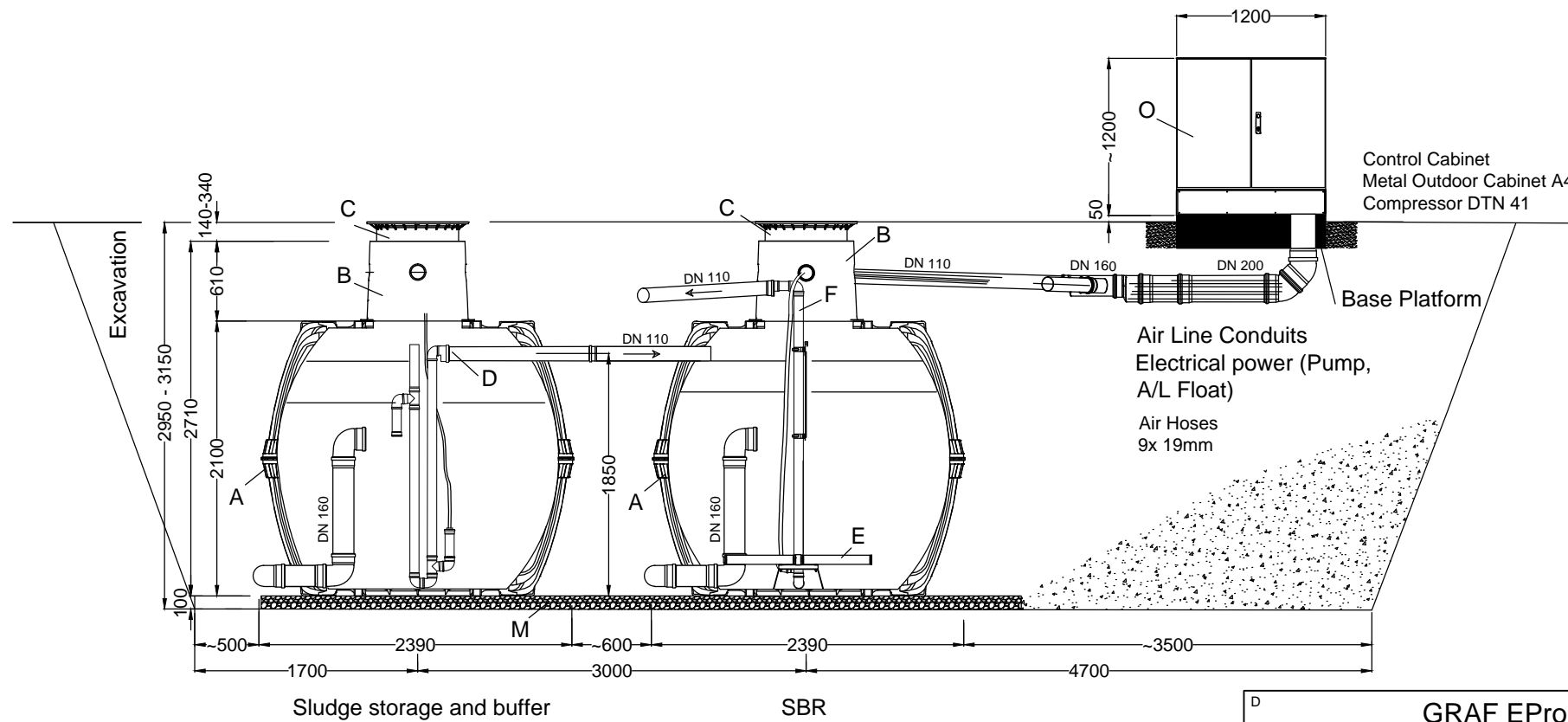
TOP VIEW Compressed air

- Legend Air Line Conduits / Electrical power
- A Aeration 19mm Hose required (blue)
 - C Charging Lifter 19mm Hose required (red)
 - D Discharging Lifter 19mm Hose required (black)
 - S Sludge Return 19mm Hose required (white)
 - LS H/L Float Switch
 - P Pump

GRAF EPro Commercial 12600 L/d (70EP) 6x Carat S 6500 L, 1x Carat S 2700 L		Artikel-Nr. product no. article no. articulo no.	20.1007
TOP VIEW Compressed air		revision	
gezeichnet drawn	Gewicht weight	GRAF Australia Pty Ltd 23 Success Way Henderson WA 6166	
Datum date	Toleranz tolerance	Phone: +61 8 9437 4949 Email: info@grafplasticsaustralia.com.au Web: www.grafplasticsaustralia.com.au	
Maßstab scale	Einheiten units		
2017.02.10	+/- 3%	mm [inch] gal. = US gal.	
M 1:50	mm [inch] gal. = US gal.		



SECTION A-A



SECTION B-B

- A Carat Tank 6500L
- B Tank Dom Maxi
- C Tele Lid Mini
- D Charging Lifter
- E Diffusor
- F Sludge Lifter
- G Discharging Lifter
- H Carat Tank 6500L
- I Tablet Feeder
- J Irrigation Pump
- K Float (S1, S2, S3)
- L Pump Platform
- M Compacted Base Material
- N Internal Alarm Plate (optional)
- O Control Cabinet Metal
- P Cabinet Ventilation Fan
- Q Approved Backfill

D		GRAF EPro Commercial 12600 L/d (70EP) 6x Carat S 6500 L, 1x Carat S 6500 L		Artikel-Nr. product no. article no. articulo no.	20.1007
SECTION A-A and SECTION B-B				revision	
gezeichnet drawn	Gewicht weight	GRAF Australia Pty Ltd 23 Success Way Henderson WA 6166			
Datum date	2017.02.10	Toleranz tolerance	+/- 3%		
Maßstab scale	M 1:50	Einheiten units	mm [inch] gal. = US gal.	Phone: +61 8 9437 4949 Email: info@grafplasticsaustralia.com.au Web: www.grafplasticsaustralia.com.au	

