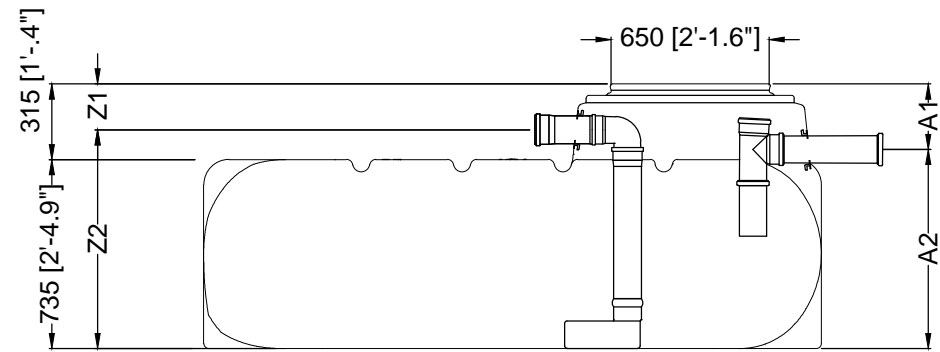
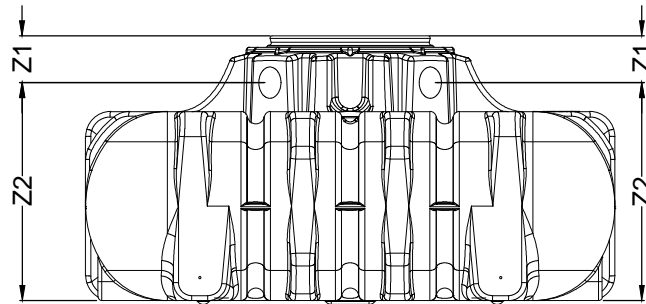
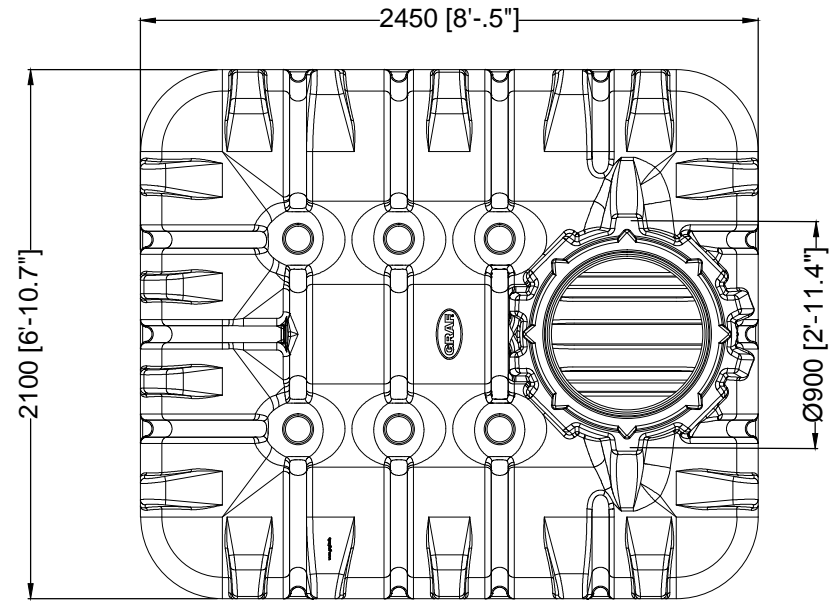


	#390351	#390355
	DN 100	DN 150
Z1	185 [7.3"]	210 [8.3"]
Z2	865 [2'-10.1"]	840 [2'-9.1"]
A1	265 [10.4"]	240 [9.5"]
A2	785 [2'-6.9"]	810 [2'-7.9"]



D			GRAF Platin Flachtank 3000 L / 792,5 gal. Sedimentationstank DWA-M 153			Artikel-Nr. product no. 390351 / 390355 article no. articulo no.		
GB		ES		FR		Otto Graf GmbH Carl-Zeiss-Str. 2-6 DE-79331 Teningen mail@graf.info www.graf.info		
GRAF Platin flat tank 3000 L / 792,5 gal.		GRAF Platin Depósito de poco profundidad 3000 L / 792,5 gal.		GRAF Platin Cuve à enterrer 3000 L / 792,5 gal.				
gezeichnet, drawn	ISC	Gewicht, weight	180 kg	revision				
Datum, date	2017.07.12	Toleranz, tolerance	+/- 3%	Maßstab, scale	M 1:30	Einheiten, units	mm [inch]	gal. = US gal.

