

Inhalt Volume Capacidad Capacité	B	B ₁	B ₂	B ₃	H	H ₁	T	T ₁	R	R ₁	Gewicht Weight Peso Poids
100l (26.4 US gal.)	780 mm (30.7 Inch)	638 mm (25.1 Inch)	730 mm (28.7 Inch)	852 mm (33.5 Inch)	290 mm (11.4 Inch)	35 mm (1.4 Inch)	378 mm (14.9 Inch)	592 mm (23.3 Inch)	50 mm (2.0 Inch)	2,9 mm (0.1 Inch)	7,0 kg (15.4 lbs)
300l (79.3 US gal.)	1025 mm (40.4 Inch)	843 mm (33.2 Inch)	935 mm (36.8 Inch)	1118 mm (44.0 Inch)	510 mm (20.1 Inch)	45 mm (1.8 Inch)	468 mm (18.4 Inch)	743 mm (29.3 Inch)	50 mm (2.0 Inch)	3,4 mm (0.1 Inch)	15,8 kg (34.8 lbs)
400l (105.7 US gal.)	1105 mm (43.5 Inch)	908 mm (35.8 Inch)	1000 mm (39.4 Inch)	1208 mm (47.6 Inch)	600 mm (23.6 Inch)	50 mm (2.0 Inch)	508 mm (20.0 Inch)	808 mm (31.8 Inch)	90 mm (3.5 Inch)	3,6 mm (0.1 Inch)	19,5 kg (43.0 lbs)
700l (184.9 US gal.)	1250 mm (49.2 Inch)	1023 mm (40.3 Inch)	1115 mm (43.9 Inch)	1374 mm (54.1 Inch)	760 mm (29.9 Inch)	60 mm (2.4 Inch)	633 mm (24.9 Inch)	984 mm (38.7 Inch)	90 mm (3.5 Inch)	4,0 mm (0.2 Inch)	33,0 kg (72.8 lbs)
1.100l (290.6 US gal.)	1490 mm (58.7 Inch)	1258 mm (49.5 Inch)	1350 mm (53.2 Inch)	1624 mm (63.9 Inch)	800 mm (31.5 Inch)	60 mm (2.4 Inch)	818 mm (32.2 Inch)	1184 mm (46.6 Inch)	90 mm (3.5 Inch)	4,5 mm (0.2 Inch)	50,0 kg (110.2 lbs)

D

Rechteckbehälter aus GFK 100 – 1.100 Liter

Artikel-Nr.
product no.
article no.
artículo no. 814500 – 814560

GB
Rectangular container green
100 – 1.100 l

ES
Recipiente rectangular
100 – 1.100 l

FR
Bac rectangulaire multi-usage
100 – 1.100 l

revision

gezeichnet
drawn AFE

Gewicht
weight

Otto Graf GmbH
Carl-Zeiss-Str. 2-6
DE-79331 Teningen
mail@graf.info
www.graf.info

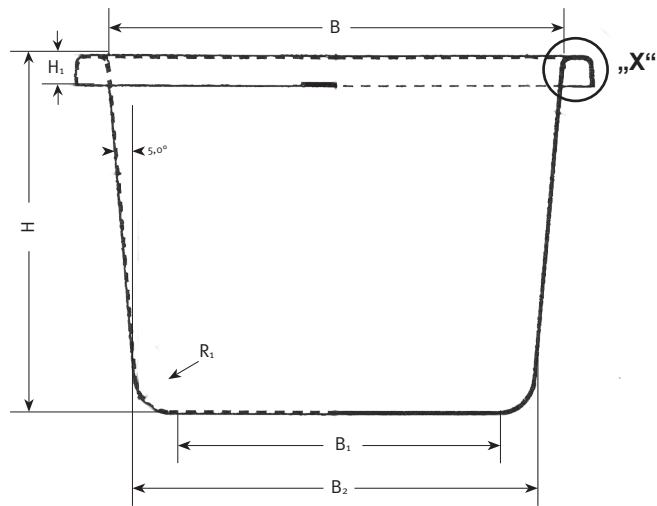
Datum
date 06.2018

Toleranz
tolerance +/- 3%

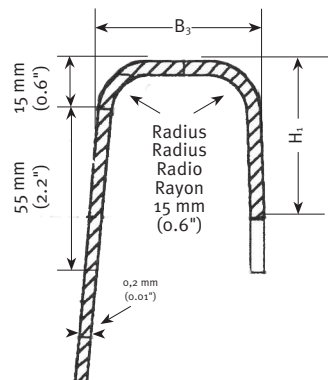
Maßstab
scale

Einheiten
units mm [inch]
gal. = US gal.





Detail „X“
 umlaufender Rand
 Circumferential edge
 Circunferencia del borde
 Rebord circulaire



Inhalt Volume Capacidad Capacité	H	H ₁	B	B ₁	B ₂	B ₃	R ₁
100l (26.4 US gal.)	290 mm (11.4 Inch)	35 mm (1.4 Inch)	520 mm (20.5 Inch)	378 mm (14.9 Inch)	470 mm (18.5 Inch)	35 mm (1.4 Inch)	50 mm (2.0 Inch)
300l (79.3 US gal.)	510 mm (20.1 Inch)	45 mm (1.8 Inch)	650 mm (25.6 Inch)	468 mm (18.4 Inch)	560 mm (22.1 Inch)	45 mm (1.8 Inch)	50 mm (2.0 Inch)
400l (105.7 US gal.)	600 mm (23.6 Inch)	50 mm (2.0 Inch)	705 mm (27.8 Inch)	508 mm (20.0 Inch)	600 mm (23.6 Inch)	50 mm (2.0 Inch)	90 mm (3.5 Inch)
700l (184.9 US gal.)	760 mm (29.9 Inch)	60 mm (2.4 Inch)	860 mm (33.9 Inch)	633 mm (24.9 Inch)	725 mm (28.5 Inch)	60 mm (2.4 Inch)	90 mm (3.5 Inch)
1.100l (290.6 US gal.)	800 mm (31.5 Inch)	60 mm (2.4 Inch)	1050 mm (41.3 Inch)	818 mm (32.2 Inch)	910 mm (35.8 Inch)	65 mm (2.6 Inch)	90 mm (3.5 Inch)

D

Rechteckbehälter aus GFK 100 – 1.100 Liter

Artikel-Nr.
product no.
article no.
artículo no. **814500 – 814560**

GB
Rectangular container green
100 – 1.100 l

ES
Recipiente rectangular
100 – 1.100 l

FR
Bac rectangulaire multi-usage
100 – 1.100 l

revision

gezeichnet
drawn **AFE**

Gewicht
weight

Otto Graf GmbH

Datum
date **06.2018**

Toleranz
tolerance **+/- 3%**

Carl-Zeiss-Str. 2-6
DE-79331 Teningen

Maßstab
scale

Einheiten
units mm [inch]
gal. = US gal.

mail@graf.info
www.graf.info

